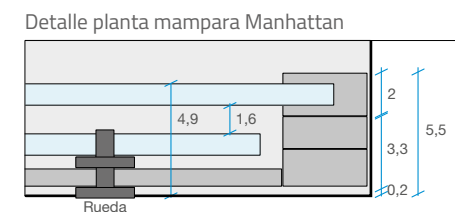
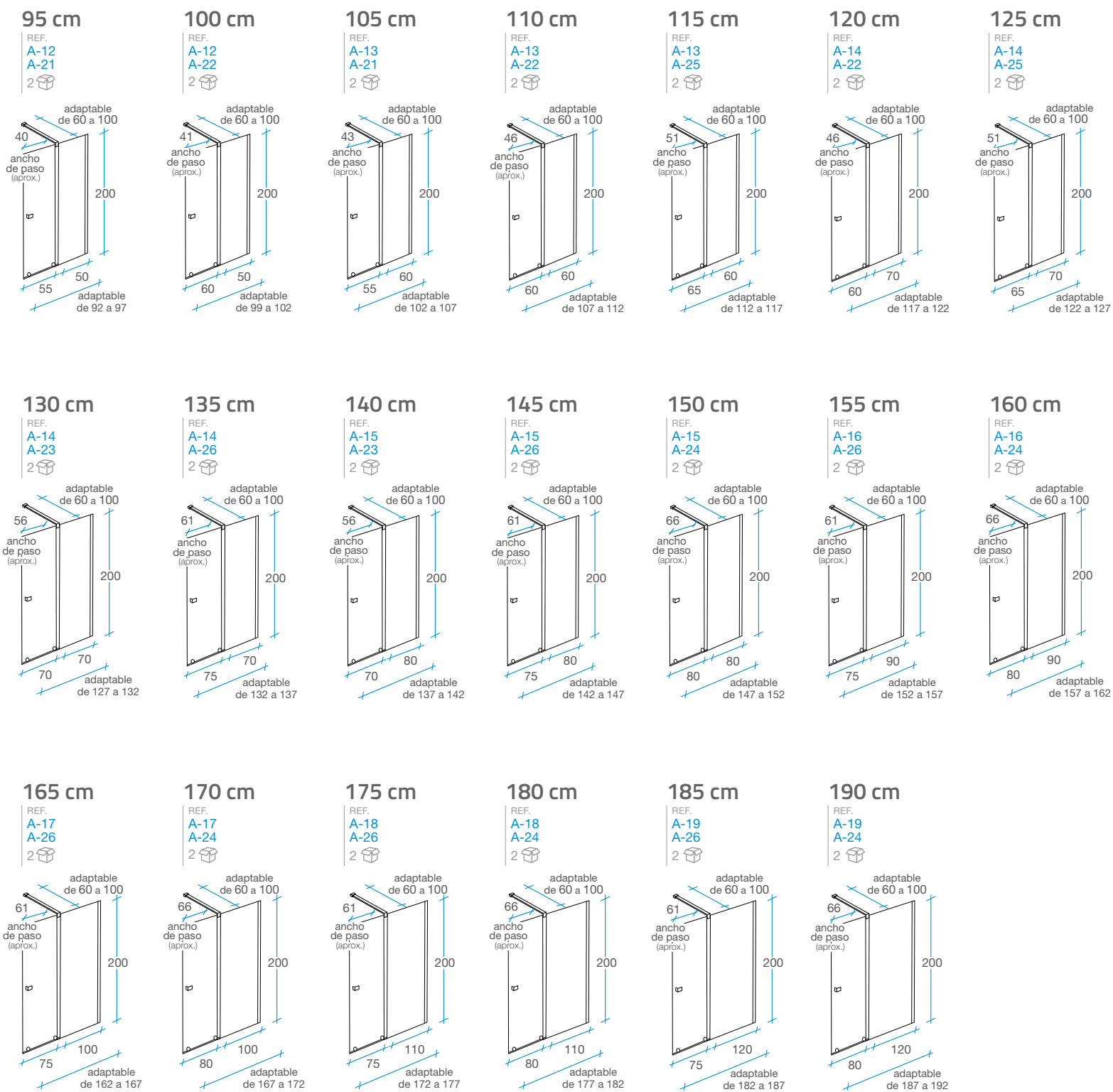


Manhattan Cromo

Frente ducha Corredera

1 puerta + 1 fijo



Sistema de sujeción opcional. Permite la instalación apoyándose únicamente en uno o dos laterales. Precio 57€



- Tratamiento antical Fast Clean.
- Cristal templado de 8 mm transparente.
- Altura 200 cm.
- Sin perfilera inferior.
- Incluye perfil receptor autoadhesivo.
- Reversible.
- Embalaje de alta seguridad.
- Certificado de conformidad europea.

Perfil receptor autoadhesivo incluido

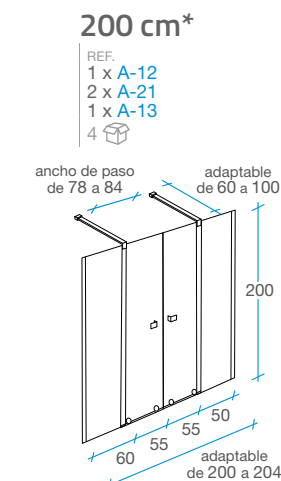
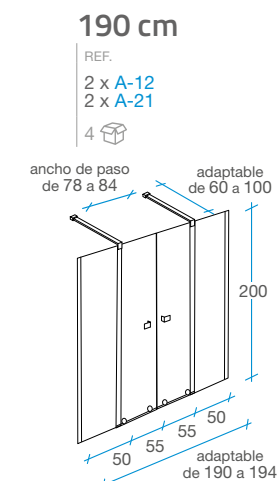
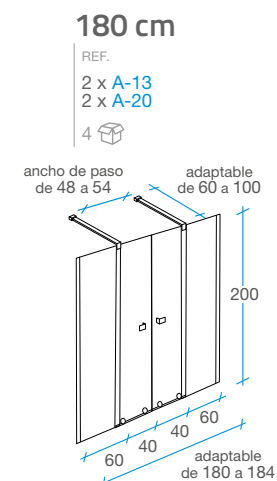
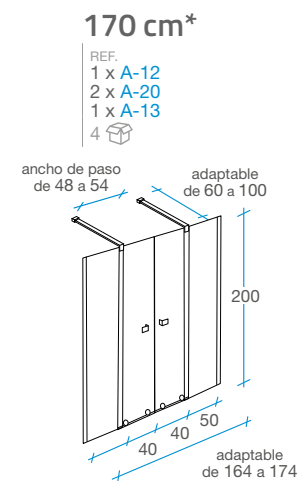
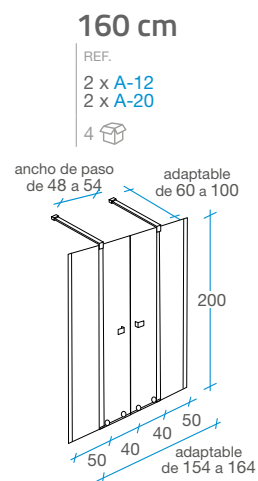
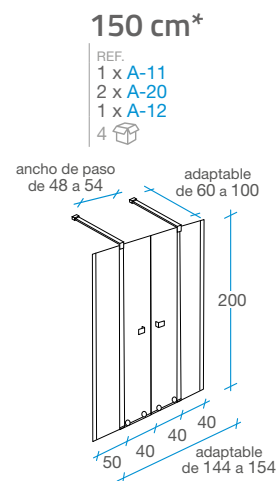
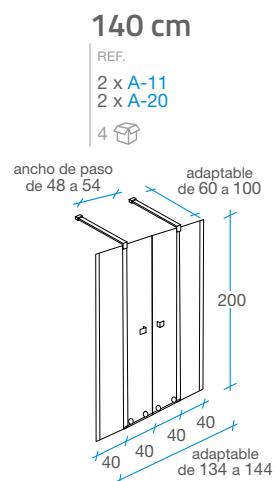
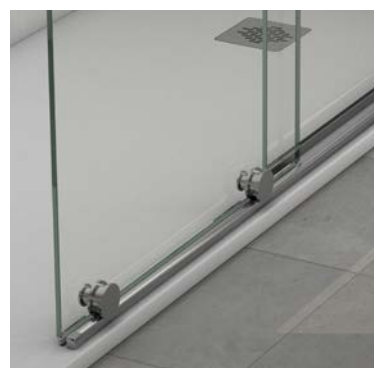


Manhattan Cromo

Frente ducha Corredera

2 puertas + 2 fijos

-  Acceso central.
-  Tratamiento antical Fast Clean.
-  Cristal templado de 8 mm transparente.
-  Altura 200 cm.
-  Sin perfilería inferior.
-  Embalaje de alta seguridad.
-  Certificado de conformidad europea.



* Fijos de distinta medida. Puertas de acceso desplazadas ligeramente del centro.

Manhattan

Cromo

Rectangular Corredera
acceso frontal

FRENTE
1 puerta + 1 fijo

LATERAL
1 fijo



Manhattan

Negro



Manhattan Cromo

Rectangular Corredera acceso frontal

FRENTE 1 puerta + 1 fijo | LATERAL 1 fijo

- Tratamiento antical Fast Clean.
- Sin periferia inferior.
- Embalaje de alta seguridad.
- Cristal templado de 8 mm transparente.
- Reversible.
- Incluye perfil receptor autoadhesivo.
- Altura 200 cm.
- Certificado de conformidad europea.

Sistema de sujeción opcional. Permite la instalación apoyándose únicamente en uno o dos laterales. Precio 57€



100 cm

Frente 100 + Lateral fijo

| | | | | |
|---------|---------|---------|---------|----------|
| 70 REF. | 75 REF. | 80 REF. | 90 REF. | 100 REF. |
| A-12 | A-12 | A-12 | A-12 | A-12 |
| A-22 | A-22 | A-22 | A-22 | A-22 |
| A-14 | A-29 | A-15 | A-16 | A-17 |
| P-20 | P-20 | P-20 | P-20 | P-20 |

3

lateral adaptable: 70 de 67 a 69, 75 de 72 a 74, 80 de 77 a 79, 90 de 87 a 89, 100 de 97 a 99

110 cm

Frente 110 + Lateral fijo

| | | | | |
|---------|---------|---------|---------|----------|
| 70 REF. | 75 REF. | 80 REF. | 90 REF. | 100 REF. |
| A-13 | A-13 | A-13 | A-13 | A-13 |
| A-22 | A-22 | A-22 | A-22 | A-22 |
| A-14 | A-29 | A-15 | A-16 | A-17 |
| P-20 | P-20 | P-20 | P-20 | P-20 |

3

lateral adaptable: 70 de 67 a 69, 75 de 72 a 74, 80 de 77 a 79, 90 de 87 a 89, 100 de 97 a 99

115 cm

Frente 115 + Lateral fijo

| | | | | |
|---------|---------|---------|---------|----------|
| 70 REF. | 75 REF. | 80 REF. | 90 REF. | 100 REF. |
| A-13 | A-13 | A-13 | A-13 | A-13 |
| A-25 | A-25 | A-25 | A-25 | A-25 |
| A-14 | A-29 | A-15 | A-16 | A-17 |
| P-20 | P-20 | P-20 | P-20 | P-20 |

3

lateral adaptable: 70 de 67 a 69, 75 de 72 a 74, 80 de 77 a 79, 90 de 87 a 89, 100 de 97 a 99

120 cm

Frente 120 + Lateral fijo

| | | | | |
|---------|---------|---------|---------|----------|
| 70 REF. | 75 REF. | 80 REF. | 90 REF. | 100 REF. |
| A-14 | A-14 | A-14 | A-14 | A-14 |
| A-22 | A-22 | A-22 | A-22 | A-22 |
| A-14 | A-29 | A-15 | A-16 | A-17 |
| P-20 | P-20 | P-20 | P-20 | P-20 |

3

lateral adaptable: 70 de 67 a 69, 75 de 72 a 74, 80 de 77 a 79, 90 de 87 a 89, 100 de 97 a 99

125 cm

Frente 125 + Lateral fijo

| | | | | |
|---------|---------|---------|---------|----------|
| 70 REF. | 75 REF. | 80 REF. | 90 REF. | 100 REF. |
| A-14 | A-14 | A-14 | A-14 | A-14 |
| A-25 | A-25 | A-25 | A-25 | A-25 |
| A-14 | A-29 | A-15 | A-16 | A-17 |
| P-20 | P-20 | P-20 | P-20 | P-20 |

3

lateral adaptable: 70 de 67 a 69, 75 de 72 a 74, 80 de 77 a 79, 90 de 87 a 89, 100 de 97 a 99

130 cm

Frente 130 + Lateral fijo

| | | | | |
|---------|---------|---------|---------|----------|
| 70 REF. | 75 REF. | 80 REF. | 90 REF. | 100 REF. |
| A-14 | A-14 | A-14 | A-14 | A-14 |
| A-23 | A-23 | A-23 | A-23 | A-23 |
| A-14 | A-29 | A-15 | A-16 | A-17 |
| P-20 | P-20 | P-20 | P-20 | P-20 |

3

lateral adaptable: 70 de 67 a 69, 75 de 72 a 74, 80 de 77 a 79, 90 de 87 a 89, 100 de 97 a 99

135 cm

Frente 135 + Lateral fijo

| | | | | |
|---------|---------|---------|---------|----------|
| 70 REF. | 75 REF. | 80 REF. | 90 REF. | 100 REF. |
| A-14 | A-14 | A-14 | A-14 | A-14 |
| A-26 | A-26 | A-26 | A-26 | A-26 |
| A-14 | A-29 | A-15 | A-16 | A-17 |
| P-20 | P-20 | P-20 | P-20 | P-20 |

3

lateral adaptable: 70 de 67 a 69, 75 de 72 a 74, 80 de 77 a 79, 90 de 87 a 89, 100 de 97 a 99

140 cm

Frente 140 + Lateral fijo

| | | | | |
|---------|---------|---------|---------|----------|
| 70 REF. | 75 REF. | 80 REF. | 90 REF. | 100 REF. |
| A-15 | A-15 | A-15 | A-15 | A-15 |
| A-23 | A-23 | A-23 | A-23 | A-23 |
| A-14 | A-29 | A-15 | A-16 | A-17 |
| P-20 | P-20 | P-20 | P-20 | P-20 |

3

lateral adaptable: 70 de 67 a 69, 75 de 72 a 74, 80 de 77 a 79, 90 de 87 a 89, 100 de 97 a 99

145 cm

Frente 145 + Lateral fijo

| | | | | |
|---------|---------|---------|---------|----------|
| 70 REF. | 75 REF. | 80 REF. | 90 REF. | 100 REF. |
| A-15 | A-15 | A-15 | A-15 | A-15 |
| A-26 | A-26 | A-26 | A-26 | A-26 |
| A-14 | A-29 | A-15 | A-16 | A-17 |
| P-20 | P-20 | P-20 | P-20 | P-20 |

3

lateral adaptable: 70 de 67 a 69, 75 de 72 a 74, 80 de 77 a 79, 90 de 87 a 89, 100 de 97 a 99

150 cm

Frente 150 + Lateral fijo

| | | | | |
|---------|---------|---------|---------|----------|
| 70 REF. | 75 REF. | 80 REF. | 90 REF. | 100 REF. |
| A-15 | A-15 | A-15 | A-15 | A-15 |
| A-24 | A-24 | A-24 | A-24 | A-24 |
| A-14 | A-29 | A-15 | A-16 | A-17 |
| P-20 | P-20 | P-20 | P-20 | P-20 |

3

lateral adaptable: 70 de 67 a 69, 75 de 72 a 74, 80 de 77 a 79, 90 de 87 a 89, 100 de 97 a 99

155 cm

Frente 155 + Lateral fijo

| | | | | |
|---------|---------|---------|---------|----------|
| 70 REF. | 75 REF. | 80 REF. | 90 REF. | 100 REF. |
| A-16 | A-16 | A-16 | A-16 | A-16 |
| A-26 | A-26 | A-26 | A-26 | A-26 |
| A-14 | A-29 | A-15 | A-16 | A-17 |
| P-20 | P-20 | P-20 | P-20 | P-20 |

3

lateral adaptable: 70 de 67 a 69, 75 de 72 a 74, 80 de 77 a 79, 90 de 87 a 89, 100 de 97 a 99

160 cm

Frente 160 + Lateral fijo

| | | | | |
|---------|---------|---------|---------|----------|
| 70 REF. | 75 REF. | 80 REF. | 90 REF. | 100 REF. |
| A-16 | A-16 | A-16 | A-16 | A-16 |
| A-24 | A-24 | A-24 | A-24 | A-24 |
| A-14 | A-29 | A-15 | A-16 | A-17 |
| P-20 | P-20 | P-20 | P-20 | P-20 |

3

lateral adaptable: 70 de 67 a 69, 75 de 72 a 74, 80 de 77 a 79, 90 de 87 a 89, 100 de 97 a 99

165 cm

Frente 165 + Lateral fijo

| | | | | |
|---------|---------|---------|---------|----------|
| 70 REF. | 75 REF. | 80 REF. | 90 REF. | 100 REF. |
| A-17 | A-17 | A-17 | A-17 | A-17 |
| A-26 | A-26 | A-26 | A-26 | A-26 |
| A-14 | A-29 | A-15 | A-16 | A-17 |
| P-20 | P-20 | P-20 | P-20 | P-20 |

3

lateral adaptable: 70 de 67 a 69, 75 de 72 a 74, 80 de 77 a 79, 90 de 87 a 89, 100 de 97 a 99

170 cm

Frente 170 + Lateral fijo

| | | | | |
|---------|---------|---------|---------|----------|
| 70 REF. | 75 REF. | 80 REF. | 90 REF. | 100 REF. |
| A-17 | A-17 | A-17 | A-17 | A-17 |
| A-24 | A-24 | A-24 | A-24 | A-24 |
| A-14 | A-29 | A-15 | A-16 | A-17 |
| P-20 | P-20 | P-20 | P-20 | P-20 |

3

lateral adaptable: 70 de 67 a 69, 75 de 72 a 74, 80 de 77 a 79, 90 de 87 a 89, 100 de 97 a 99

175 cm

Frente 175 + Lateral fijo

| | | | | |
|---------|---------|---------|---------|----------|
| 70 REF. | 75 REF. | 80 REF. | 90 REF. | 100 REF. |
| A-18 | A-18 | A-18 | A-18 | A-18 |
| A-26 | A-26 | A-26 | A-26 | A-26 |
| A-14 | A-29 | A-15 | A-16 | A-17 |
| P-20 | P-20 | P-20 | P-20 | P-20 |

3

lateral adaptable: 70 de 67 a 69, 75 de 72 a 74, 80 de 77 a 79, 90 de 87 a 89, 100 de 97 a 99

180 cm

Frente 180 + Lateral fijo

| | | | | |
|---------|---------|---------|---------|----------|
| 70 REF. | 75 REF. | 80 REF. | 90 REF. | 100 REF. |
| A-18 | A-18 | A-18 | A-18 | A-18 |
| A-24 | A-24 | A-24 | A-24 | A-24 |
| A-14 | A-29 | A-15 | A-16 | A-17 |
| P-20 | P-20 | P-20 | P-20 | P-20 |

3

lateral adaptable: 70 de 67 a 69, 75 de 72 a 74, 80 de 77 a 79, 90 de 87 a 89, 100 de 97 a 99

185 cm

Frente 185 + Lateral fijo

| | | | | |
|---------|---------|---------|---------|----------|
| 70 REF. | 75 REF. | 80 REF. | 90 REF. | 100 REF. |
| A-19 | A-19 | A-19 | A-19 | A-19 |
| A-26 | A-26 | A-26 | A-26 | A-26 |
| A-14 | A-29 | A-15 | A-16 | A-17 |
| P-20 | P-20 | P-20 | P-20 | P-20 |

3

lateral adaptable: 70 de 67 a 69, 75 de 72 a 74, 80 de 77 a 79, 90 de 87 a 89, 100 de 97 a 99

190 cm

Frente 190 + Lateral fijo

| | | | | |
|---------|---------|---------|---------|----------|
| 70 REF. | 75 REF. | 80 REF. | 90 REF. | 100 REF. |
| A-19 | A-19 | A-19 | A-19 | A-19 |
| A-24 | A-24 | A-24 | A-24 | A-24 |
| A-14 | A-29 | A-15 | A-16 | A-17 |
| P-20 | P-20 | P-20 | P-20 | P-20 |

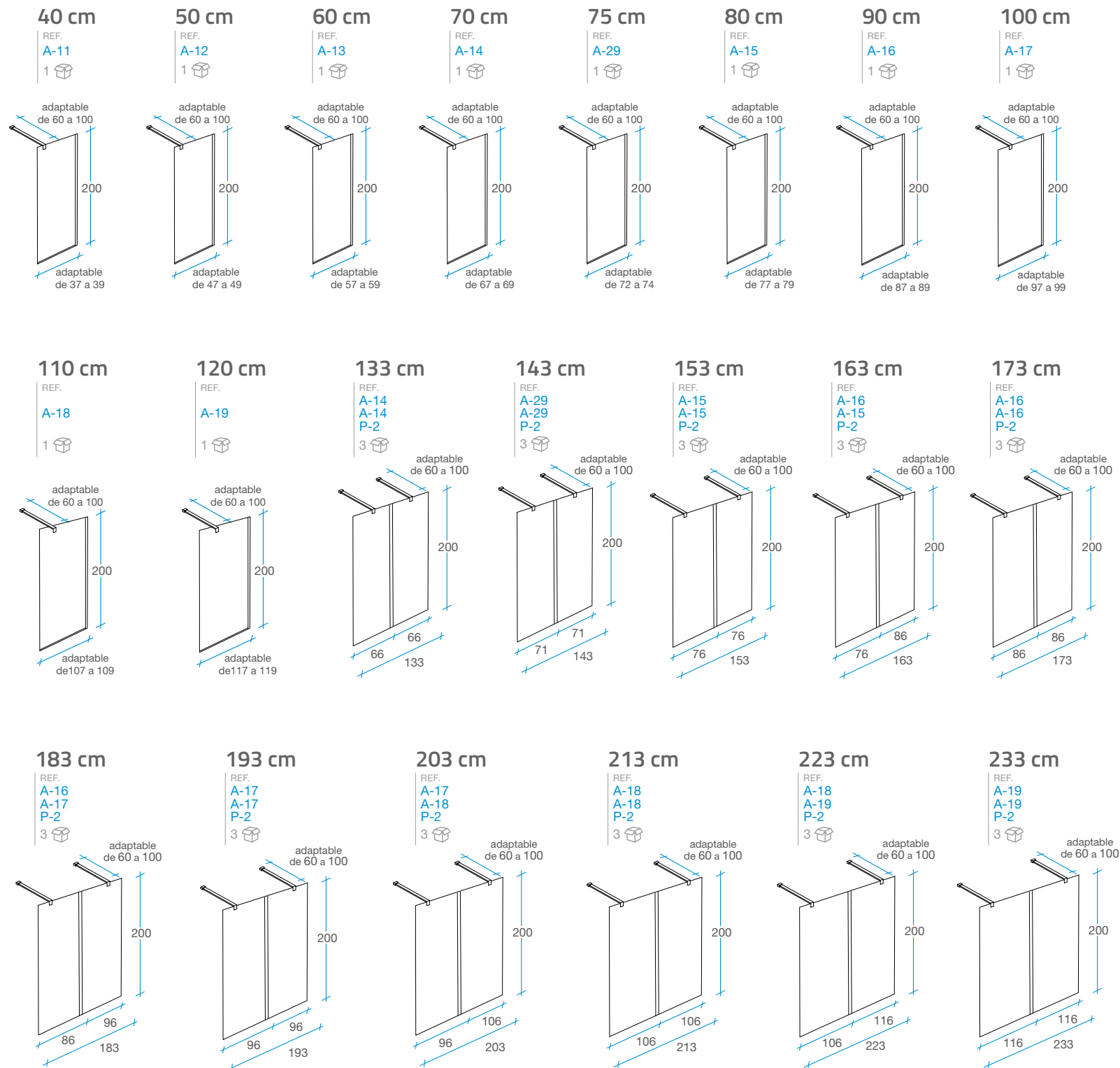
3

lateral adaptable: 70 de 67 a 69, 75 de 72 a 74, 80 de 77 a 79, 90 de 87 a 89, 100 de 97 a 99

Manhattan Cromo

Walk in

1 fijo o 2 fijos



- Tratamiento antical Fast Clean.
- Cristal templado de 8 mm transparente.
- Altura 200 cm.
- Sin perfilera inferior.
- Reversible.
- Embalaje de alta seguridad.
- Certificado de conformidad europea.



Brazo de sujeción recortable.



Manhattan Cromo

Walk in

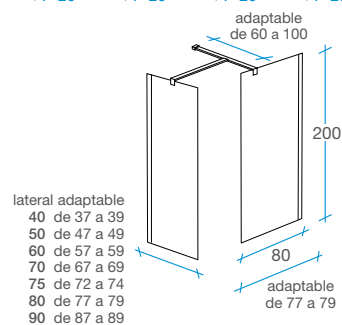
FRENTE 1 fijo
LATERAL 1 fijo

80 cm

Frente 80 + Lateral fijo

| | | | | | | | |
|------------------------------------|------------------------------------|----------------------------|------------------------------------|------------------------------------|----------------------------|------------------------------------|-------------------------------------|
| 40 REF. A-15 A-11 P-20 | 50 REF. A-15 A-12 P-20 | 60 REF. A-13 P-20 | 70 REF. A-15 A-14 P-20 | 75 REF. A-15 A-29 P-20 | 80 REF. A-15 P-20 | 90 REF. A-15 A-16 P-20 | 100 REF. A-15 A-17 P-20 |
|------------------------------------|------------------------------------|----------------------------|------------------------------------|------------------------------------|----------------------------|------------------------------------|-------------------------------------|

2

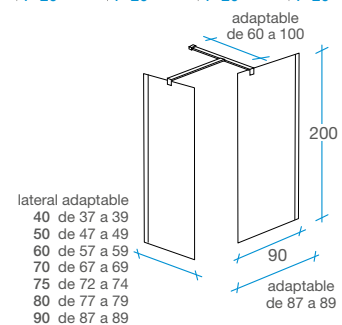


90 cm

Frente 90 + Lateral fijo

| | | | | | | | |
|------------------------------------|------------------------------------|------------------------------------|------------------------------------|------------------------------------|----------------------------|------------------------------------|-------------------------------------|
| 40 REF. A-16 A-11 P-20 | 50 REF. A-16 A-12 P-20 | 60 REF. A-16 A-13 P-20 | 70 REF. A-16 A-14 P-20 | 75 REF. A-16 A-29 P-20 | 80 REF. A-16 P-20 | 90 REF. A-16 A-16 P-20 | 100 REF. A-16 A-17 P-20 |
|------------------------------------|------------------------------------|------------------------------------|------------------------------------|------------------------------------|----------------------------|------------------------------------|-------------------------------------|

2

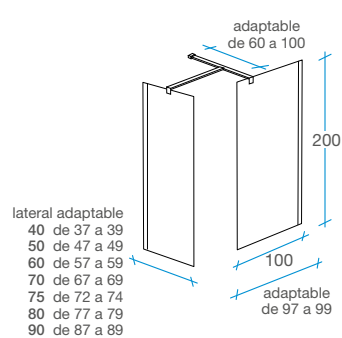


100 cm

Frente 100 + Lateral fijo

| | | | | | | | |
|------------------------------------|------------------------------------|------------------------------------|------------------------------------|------------------------------------|------------------------------------|------------------------------------|-------------------------------------|
| 40 REF. A-17 A-11 P-20 | 50 REF. A-17 A-12 P-20 | 60 REF. A-17 A-13 P-20 | 70 REF. A-17 A-14 P-20 | 75 REF. A-17 A-29 P-20 | 80 REF. A-17 A-15 P-20 | 90 REF. A-17 A-16 P-20 | 100 REF. A-17 A-17 P-20 |
|------------------------------------|------------------------------------|------------------------------------|------------------------------------|------------------------------------|------------------------------------|------------------------------------|-------------------------------------|

2

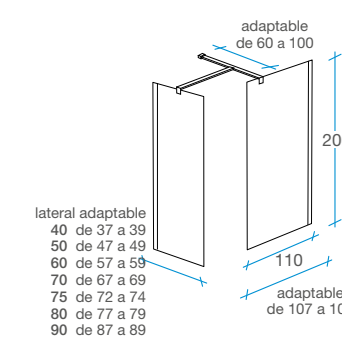


110 cm

Frente 110 + Lateral fijo

| | | | | | | | |
|------------------------------------|------------------------------------|------------------------------------|------------------------------------|------------------------------------|------------------------------------|------------------------------------|-------------------------------------|
| 40 REF. A-18 A-11 P-20 | 50 REF. A-18 A-12 P-20 | 60 REF. A-18 A-13 P-20 | 70 REF. A-18 A-14 P-20 | 75 REF. A-18 A-29 P-20 | 80 REF. A-18 A-15 P-20 | 90 REF. A-18 A-16 P-20 | 100 REF. A-18 A-17 P-20 |
|------------------------------------|------------------------------------|------------------------------------|------------------------------------|------------------------------------|------------------------------------|------------------------------------|-------------------------------------|

2

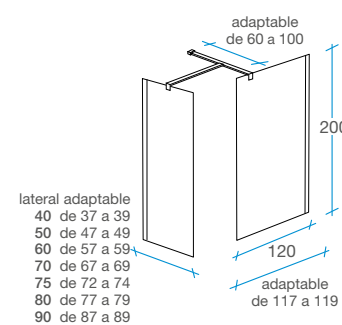


120 cm

Frente 120 + Lateral fijo

| | | | | | | | |
|------------------------------------|------------------------------------|------------------------------------|------------------------------------|------------------------------------|------------------------------------|------------------------------------|-------------------------------------|
| 40 REF. A-19 A-11 P-20 | 50 REF. A-19 A-12 P-20 | 60 REF. A-19 A-13 P-20 | 70 REF. A-19 A-14 P-20 | 75 REF. A-19 A-29 P-20 | 80 REF. A-19 A-15 P-20 | 90 REF. A-19 A-16 P-20 | 100 REF. A-19 A-17 P-20 |
|------------------------------------|------------------------------------|------------------------------------|------------------------------------|------------------------------------|------------------------------------|------------------------------------|-------------------------------------|

2



- Tratamiento antical Fast Clean.
- Cristal templado de 8 mm transparente.
- Altura 200 cm.
- Sin perfilera inferior.

- Reversible.
- Embalaje de alta seguridad.
- Certificado de conformidad europea.
- Brazo de sujeción recortable.

Sistema de sujeción opcional. Permite la instalación apoyándose únicamente en uno o dos laterales. Precio 57€



Manhattan in-out

Walk in

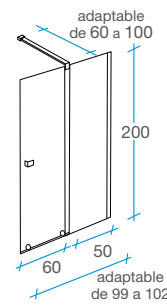
Cromo

1 puerta + 1 fijo

- Tratamiento antical Fast Clean.
- Cristal templado de 8 mm transparente.
- Altura 200 cm.
- Sin perfilera inferior.
- Reversible.
- Embalaje de alta seguridad.
- Certificado de conformidad europea.
- Brazo de sujeción recortable.

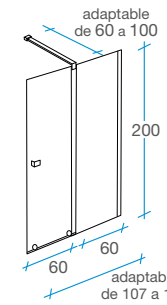
100 cm

REF. A-12 A-22
2



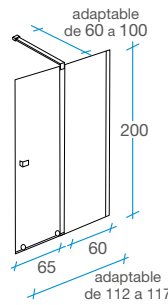
110 cm

REF. A-13 A-22
2



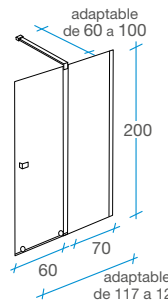
115 cm

REF. A-13 A-25
2



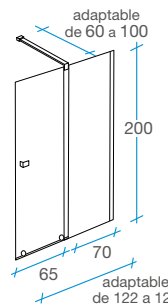
120 cm

REF. A-14 A-22
2



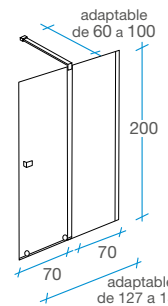
125 cm

REF. A-14 A-25
2



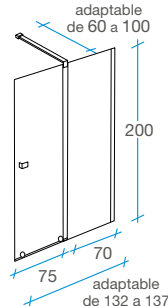
130 cm

REF. A-14 A-23
2



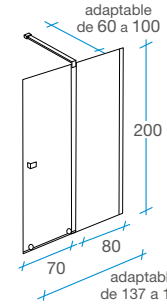
135 cm

REF. A-14 A-26
2



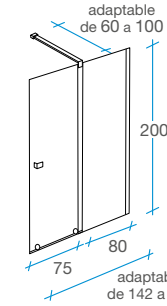
140 cm

REF. A-15 A-23
2



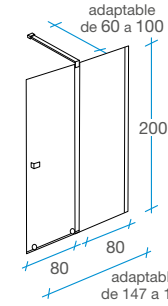
145 cm

REF. A-15 A-26
2



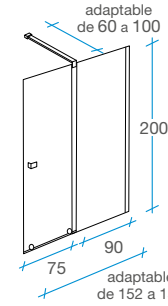
150 cm

REF. A-15 A-24
2



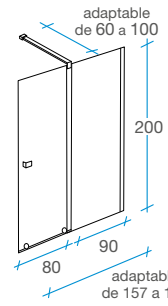
155 cm

REF. A-16 A-26
2



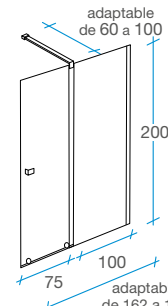
160 cm

REF. A-16 A-24
2



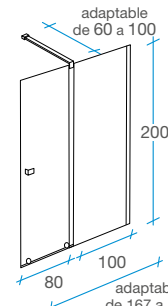
165 cm

REF. A-17 A-26
2



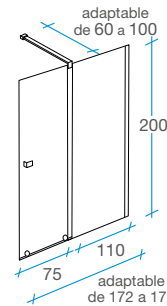
170 cm

REF. A-17 A-24
2



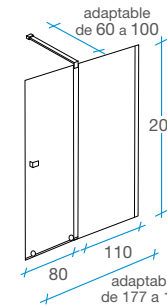
175 cm

REF. A-18 A-26
2



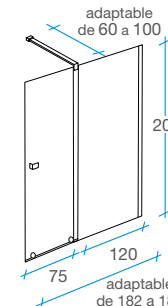
180 cm

REF. A-18 A-24
2



185 cm

REF. A-19 A-26
2



190 cm

REF. A-19 A-24
2

