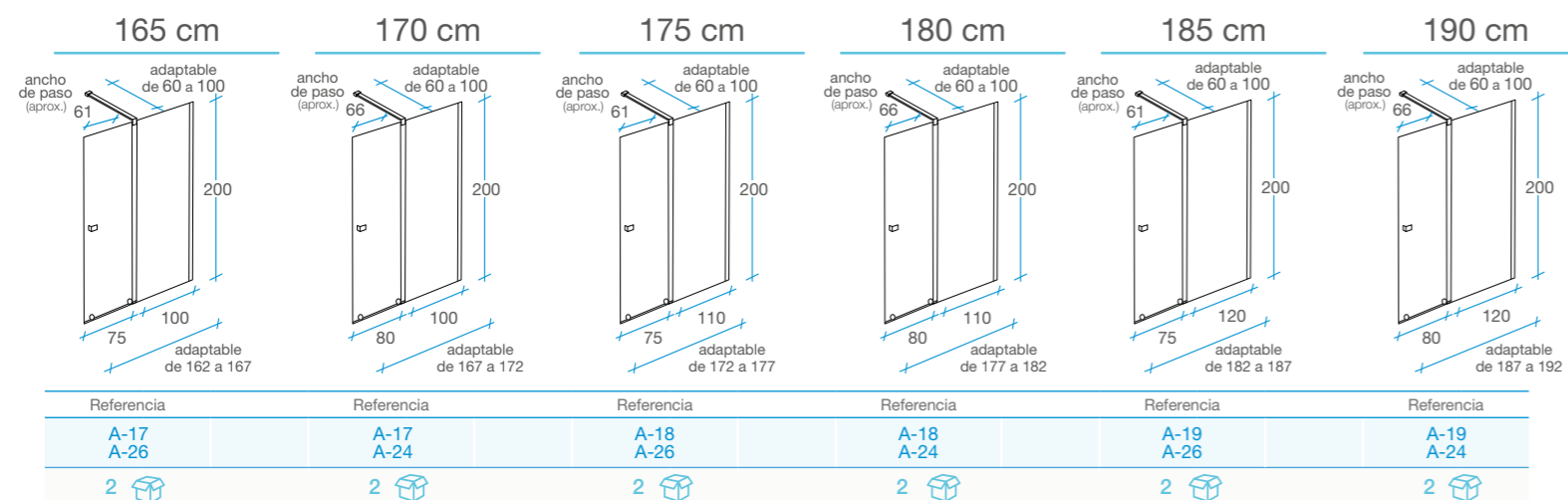
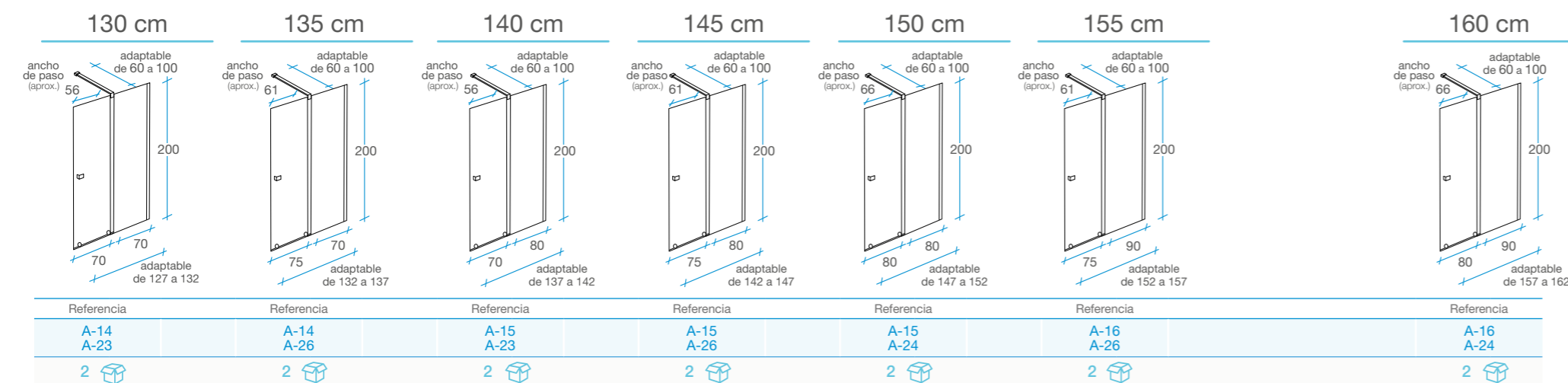
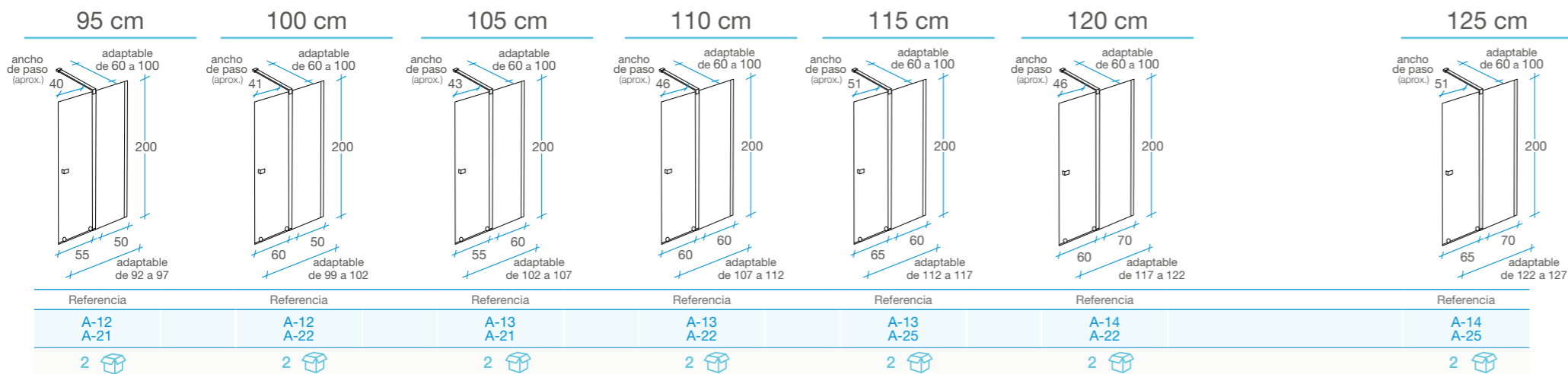


Manhattan Frente ducha

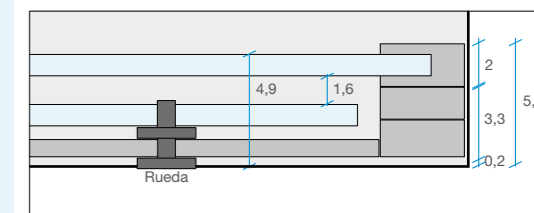
/ 1 fijo + 1 puerta



Perfil receptor autoadhesivo

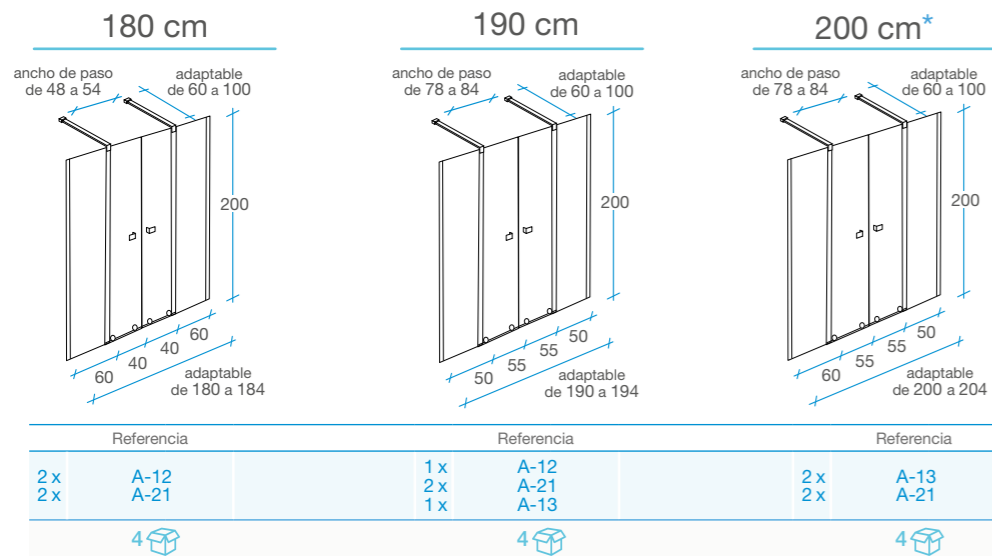
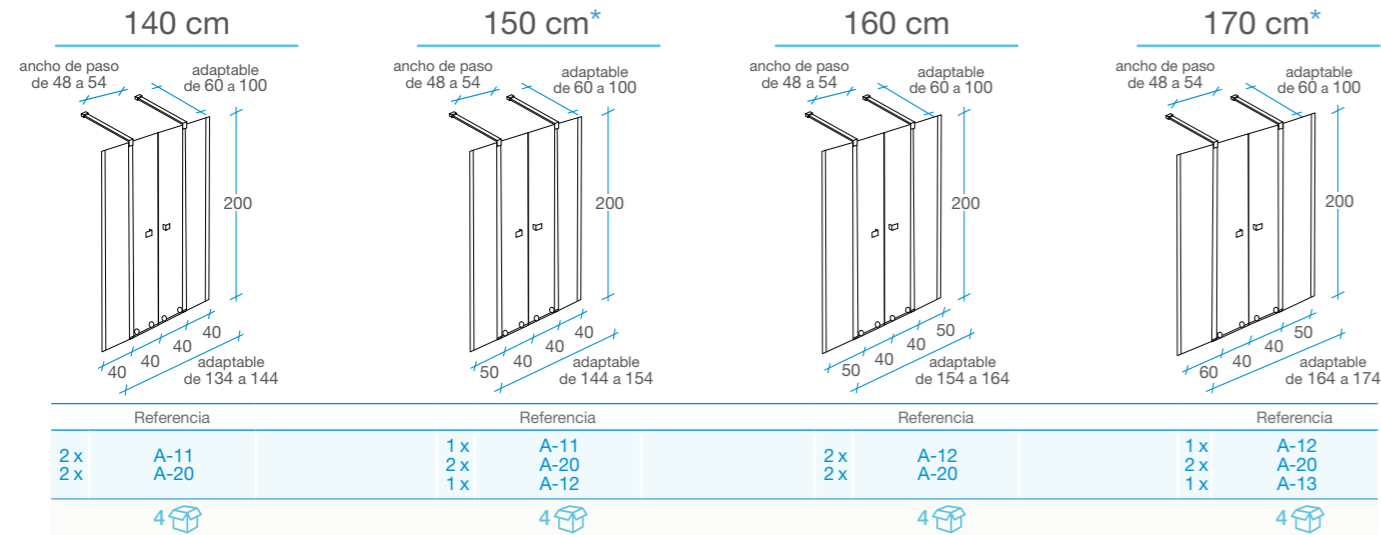
- Cristal templado 8 mm transparente con certificado CE.
- 2 metros de altura.
- Sin perfilera inferior para facilitar acceso al interior.
- Perfil receptor incluido.
- Tratamiento del cristal antical Fast Clean.
- Embalaje especial de alta seguridad.

Detalle planta mampara Manhattan



Manhattan *Frente ducha*

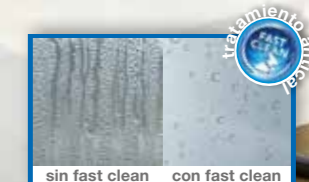
/ 2 fijos + 2 puertas / Acceso central



* Fijos de distinta medida. Puertas de acceso desplazadas ligeramente del centro.



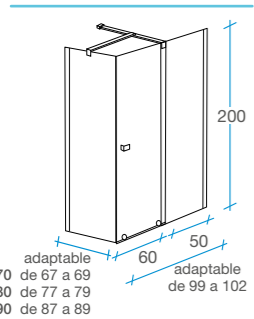
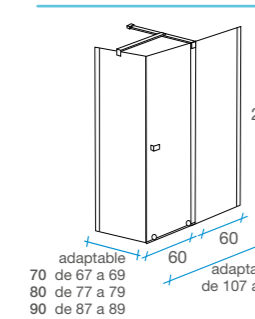
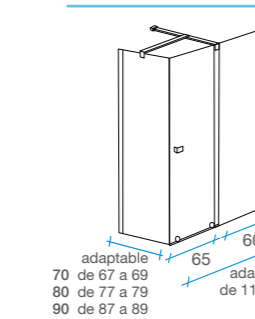
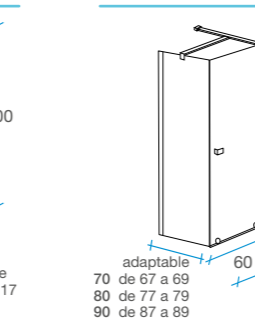
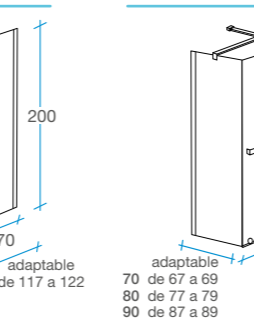
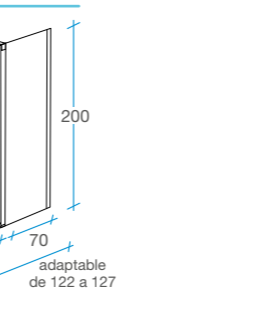
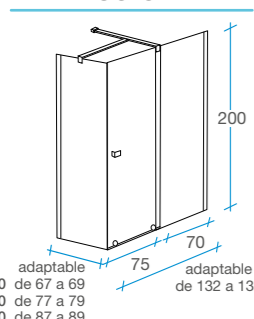
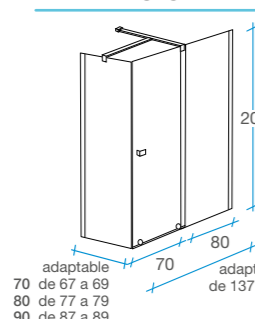
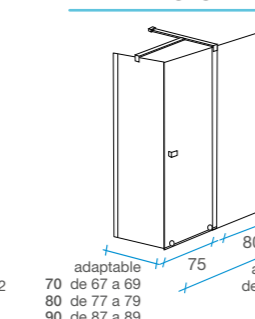
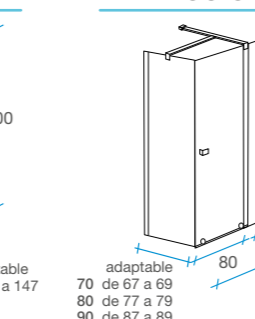
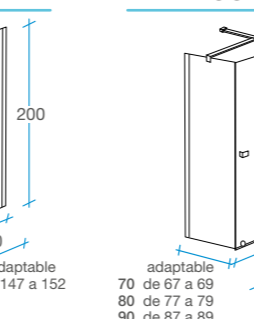
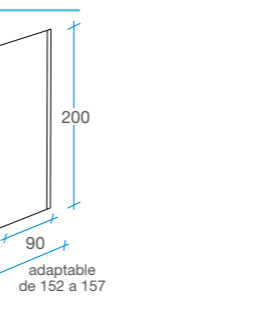
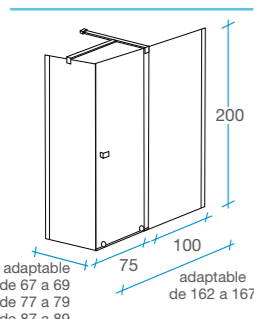
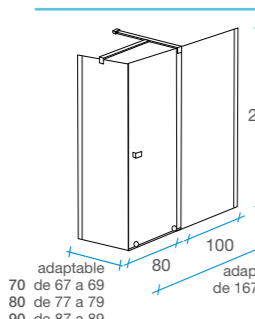
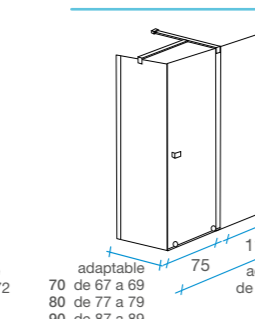
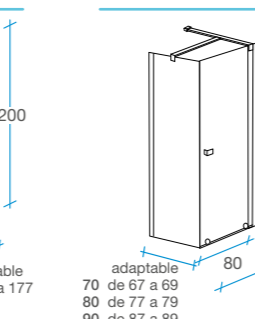
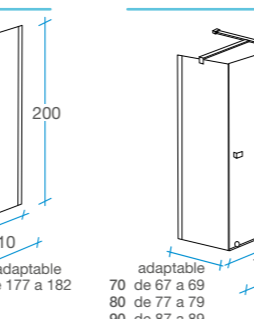
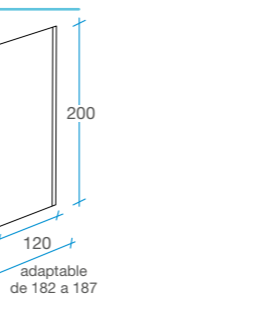
- Cristal templado 8 mm transparente con certificado CE.
- 2 metros de altura.
- Sin periferia inferior para facilitar acceso al interior.
- Cierre magnético.
- Perfil receptor opcional para paredes desniveladas.
- Tratamiento del cristal antical Fast Clean.
- Embalaje especial de alta seguridad.



Tratamiento antical FAST CLEAN

Manhattan Rectangular

/(1 fijo + 1 puerta) + lateral fijo

<p>Rectangular 100 cm</p>  <p>adaptable de 67 a 69 80 de 77 a 79 90 de 87 a 89</p>	<p>Rectangular 110 cm</p>  <p>adaptable de 67 a 69 80 de 77 a 79 90 de 87 a 89</p>	<p>Rectangular 115 cm</p>  <p>adaptable de 67 a 69 80 de 77 a 79 90 de 87 a 89</p>	<p>Rectangular 120 cm</p>  <p>adaptable de 67 a 69 80 de 77 a 79 90 de 87 a 89</p>	<p>Rectangular 125 cm</p>  <p>adaptable de 67 a 69 80 de 77 a 79 90 de 87 a 89</p>	<p>Rectangular 130 cm</p>  <p>adaptable de 67 a 69 80 de 77 a 79 90 de 87 a 89</p>																																																																																										
<p>Frente 100 + Lateral fijo</p> <table border="1"> <tr><th>70</th><th>80</th><th>90</th></tr> <tr><td>REF</td><td>REF</td><td>REF</td></tr> <tr><td>A-12</td><td>A-12</td><td>A-12</td></tr> <tr><td>A-22</td><td>A-22</td><td>A-22</td></tr> <tr><td>A-14</td><td>A-15</td><td>A-16</td></tr> </table> <p>3</p>	70	80	90	REF	REF	REF	A-12	A-12	A-12	A-22	A-22	A-22	A-14	A-15	A-16	<p>Frente 110 + Lateral fijo</p> <table border="1"> <tr><th>70</th><th>80</th><th>90</th></tr> <tr><td>REF</td><td>REF</td><td>REF</td></tr> <tr><td>A-13</td><td>A-13</td><td>A-13</td></tr> <tr><td>A-22</td><td>A-22</td><td>A-22</td></tr> <tr><td>A-14</td><td>A-15</td><td>A-16</td></tr> </table> <p>3</p>	70	80	90	REF	REF	REF	A-13	A-13	A-13	A-22	A-22	A-22	A-14	A-15	A-16	<p>Frente 115 + Lateral fijo</p> <table border="1"> <tr><th>70</th><th>80</th><th>90</th></tr> <tr><td>REF</td><td>REF</td><td>REF</td></tr> <tr><td>A-13</td><td>A-13</td><td>A-13</td></tr> <tr><td>A-25</td><td>A-25</td><td>A-25</td></tr> <tr><td>A-14</td><td>A-15</td><td>A-16</td></tr> </table> <p>3</p>	70	80	90	REF	REF	REF	A-13	A-13	A-13	A-25	A-25	A-25	A-14	A-15	A-16	<p>Frente 120 + Lateral fijo</p> <table border="1"> <tr><th>70</th><th>80</th><th>90</th></tr> <tr><td>REF</td><td>REF</td><td>REF</td></tr> <tr><td>A-14</td><td>A-14</td><td>A-14</td></tr> <tr><td>A-22</td><td>A-22</td><td>A-22</td></tr> <tr><td>A-14</td><td>A-15</td><td>A-16</td></tr> </table> <p>3</p>	70	80	90	REF	REF	REF	A-14	A-14	A-14	A-22	A-22	A-22	A-14	A-15	A-16	<p>Frente 125 + Lateral fijo</p> <table border="1"> <tr><th>70</th><th>80</th><th>90</th></tr> <tr><td>REF</td><td>REF</td><td>REF</td></tr> <tr><td>A-14</td><td>A-14</td><td>A-14</td></tr> <tr><td>A-25</td><td>A-25</td><td>A-25</td></tr> <tr><td>A-14</td><td>A-15</td><td>A-16</td></tr> </table> <p>3</p>	70	80	90	REF	REF	REF	A-14	A-14	A-14	A-25	A-25	A-25	A-14	A-15	A-16	<p>Frente 130 + Lateral fijo</p> <table border="1"> <tr><th>70</th><th>80</th><th>90</th></tr> <tr><td>REF</td><td>REF</td><td>REF</td></tr> <tr><td>A-14</td><td>A-14</td><td>A-14</td></tr> <tr><td>A-23</td><td>A-23</td><td>A-23</td></tr> <tr><td>A-14</td><td>A-15</td><td>A-16</td></tr> </table> <p>3</p>	70	80	90	REF	REF	REF	A-14	A-14	A-14	A-23	A-23	A-23	A-14	A-15	A-16
70	80	90																																																																																													
REF	REF	REF																																																																																													
A-12	A-12	A-12																																																																																													
A-22	A-22	A-22																																																																																													
A-14	A-15	A-16																																																																																													
70	80	90																																																																																													
REF	REF	REF																																																																																													
A-13	A-13	A-13																																																																																													
A-22	A-22	A-22																																																																																													
A-14	A-15	A-16																																																																																													
70	80	90																																																																																													
REF	REF	REF																																																																																													
A-13	A-13	A-13																																																																																													
A-25	A-25	A-25																																																																																													
A-14	A-15	A-16																																																																																													
70	80	90																																																																																													
REF	REF	REF																																																																																													
A-14	A-14	A-14																																																																																													
A-22	A-22	A-22																																																																																													
A-14	A-15	A-16																																																																																													
70	80	90																																																																																													
REF	REF	REF																																																																																													
A-14	A-14	A-14																																																																																													
A-25	A-25	A-25																																																																																													
A-14	A-15	A-16																																																																																													
70	80	90																																																																																													
REF	REF	REF																																																																																													
A-14	A-14	A-14																																																																																													
A-23	A-23	A-23																																																																																													
A-14	A-15	A-16																																																																																													
<p>Rectangular 135 cm</p>  <p>adaptable de 67 a 69 80 de 77 a 79 90 de 87 a 89</p>	<p>Rectangular 140 cm</p>  <p>adaptable de 67 a 69 80 de 77 a 79 90 de 87 a 89</p>	<p>Rectangular 145 cm</p>  <p>adaptable de 67 a 69 80 de 77 a 79 90 de 87 a 89</p>	<p>Rectangular 150 cm</p>  <p>adaptable de 67 a 69 80 de 77 a 79 90 de 87 a 89</p>	<p>Rectangular 155 cm</p>  <p>adaptable de 67 a 69 80 de 77 a 79 90 de 87 a 89</p>	<p>Rectangular 160 cm</p>  <p>adaptable de 67 a 69 80 de 77 a 79 90 de 87 a 89</p>																																																																																										
<p>Frente 135 + Lateral fijo</p> <table border="1"> <tr><th>70</th><th>80</th><th>90</th></tr> <tr><td>REF</td><td>REF</td><td>REF</td></tr> <tr><td>A-14</td><td>A-14</td><td>A-14</td></tr> <tr><td>A-26</td><td>A-26</td><td>A-26</td></tr> <tr><td>A-14</td><td>A-15</td><td>A-16</td></tr> </table> <p>3</p>	70	80	90	REF	REF	REF	A-14	A-14	A-14	A-26	A-26	A-26	A-14	A-15	A-16	<p>Frente 140 + Lateral fijo</p> <table border="1"> <tr><th>70</th><th>80</th><th>90</th></tr> <tr><td>REF</td><td>REF</td><td>REF</td></tr> <tr><td>A-15</td><td>A-15</td><td>A-15</td></tr> <tr><td>A-23</td><td>A-23</td><td>A-23</td></tr> <tr><td>A-14</td><td>A-15</td><td>A-16</td></tr> </table> <p>3</p>	70	80	90	REF	REF	REF	A-15	A-15	A-15	A-23	A-23	A-23	A-14	A-15	A-16	<p>Frente 145 + Lateral fijo</p> <table border="1"> <tr><th>70</th><th>80</th><th>90</th></tr> <tr><td>REF</td><td>REF</td><td>REF</td></tr> <tr><td>A-15</td><td>A-15</td><td>A-15</td></tr> <tr><td>A-26</td><td>A-26</td><td>A-26</td></tr> <tr><td>A-14</td><td>A-15</td><td>A-16</td></tr> </table> <p>3</p>	70	80	90	REF	REF	REF	A-15	A-15	A-15	A-26	A-26	A-26	A-14	A-15	A-16	<p>Frente 150 + Lateral fijo</p> <table border="1"> <tr><th>70</th><th>80</th><th>90</th></tr> <tr><td>REF</td><td>REF</td><td>REF</td></tr> <tr><td>A-15</td><td>A-15</td><td>A-15</td></tr> <tr><td>A-24</td><td>A-24</td><td>A-24</td></tr> <tr><td>A-14</td><td>A-15</td><td>A-16</td></tr> </table> <p>3</p>	70	80	90	REF	REF	REF	A-15	A-15	A-15	A-24	A-24	A-24	A-14	A-15	A-16	<p>Frente 155 + Lateral fijo</p> <table border="1"> <tr><th>70</th><th>80</th><th>90</th></tr> <tr><td>REF</td><td>REF</td><td>REF</td></tr> <tr><td>A-16</td><td>A-16</td><td>A-16</td></tr> <tr><td>A-26</td><td>A-26</td><td>A-26</td></tr> <tr><td>A-14</td><td>A-15</td><td>A-16</td></tr> </table> <p>3</p>	70	80	90	REF	REF	REF	A-16	A-16	A-16	A-26	A-26	A-26	A-14	A-15	A-16	<p>Frente 160 + Lateral fijo</p> <table border="1"> <tr><th>70</th><th>80</th><th>90</th></tr> <tr><td>REF</td><td>REF</td><td>REF</td></tr> <tr><td>A-16</td><td>A-16</td><td>A-16</td></tr> <tr><td>A-24</td><td>A-24</td><td>A-24</td></tr> <tr><td>A-14</td><td>A-15</td><td>A-16</td></tr> </table> <p>3</p>	70	80	90	REF	REF	REF	A-16	A-16	A-16	A-24	A-24	A-24	A-14	A-15	A-16
70	80	90																																																																																													
REF	REF	REF																																																																																													
A-14	A-14	A-14																																																																																													
A-26	A-26	A-26																																																																																													
A-14	A-15	A-16																																																																																													
70	80	90																																																																																													
REF	REF	REF																																																																																													
A-15	A-15	A-15																																																																																													
A-23	A-23	A-23																																																																																													
A-14	A-15	A-16																																																																																													
70	80	90																																																																																													
REF	REF	REF																																																																																													
A-15	A-15	A-15																																																																																													
A-26	A-26	A-26																																																																																													
A-14	A-15	A-16																																																																																													
70	80	90																																																																																													
REF	REF	REF																																																																																													
A-15	A-15	A-15																																																																																													
A-24	A-24	A-24																																																																																													
A-14	A-15	A-16																																																																																													
70	80	90																																																																																													
REF	REF	REF																																																																																													
A-16	A-16	A-16																																																																																													
A-26	A-26	A-26																																																																																													
A-14	A-15	A-16																																																																																													
70	80	90																																																																																													
REF	REF	REF																																																																																													
A-16	A-16	A-16																																																																																													
A-24	A-24	A-24																																																																																													
A-14	A-15	A-16																																																																																													
<p>Rectangular 165 cm</p>  <p>adaptable de 67 a 69 80 de 77 a 79 90 de 87 a 89</p>	<p>Rectangular 170 cm</p>  <p>adaptable de 67 a 69 80 de 77 a 79 90 de 87 a 89</p>	<p>Rectangular 175 cm</p>  <p>adaptable de 67 a 69 80 de 77 a 79 90 de 87 a 89</p>	<p>Rectangular 180 cm</p>  <p>adaptable de 67 a 69 80 de 77 a 79 90 de 87 a 89</p>	<p>Rectangular 185 cm</p>  <p>adaptable de 67 a 69 80 de 77 a 79 90 de 87 a 89</p>	<p>Rectangular 190 cm</p>  <p>adaptable de 67 a 69 80 de 77 a 79 90 de 87 a 89</p>																																																																																										
<p>Frente 165 + Lateral fijo</p> <table border="1"> <tr><th>70</th><th>80</th><th>90</th></tr> <tr><td>REF</td><td>REF</td><td>REF</td></tr> <tr><td>A-17</td><td>A-17</td><td>A-17</td></tr> <tr><td>A-26</td><td>A-26</td><td>A-26</td></tr> <tr><td>A-14</td><td>A-15</td><td>A-16</td></tr> </table> <p>3</p>	70	80	90	REF	REF	REF	A-17	A-17	A-17	A-26	A-26	A-26	A-14	A-15	A-16	<p>Frente 170 + Lateral fijo</p> <table border="1"> <tr><th>70</th><th>80</th><th>90</th></tr> <tr><td>REF</td><td>REF</td><td>REF</td></tr> <tr><td>A-17</td><td>A-17</td><td>A-17</td></tr> <tr><td>A-24</td><td>A-24</td><td>A-24</td></tr> <tr><td>A-14</td><td>A-15</td><td>A-16</td></tr> </table> <p>3</p>	70	80	90	REF	REF	REF	A-17	A-17	A-17	A-24	A-24	A-24	A-14	A-15	A-16	<p>Frente 175 + Lateral fijo</p> <table border="1"> <tr><th>70</th><th>80</th><th>90</th></tr> <tr><td>REF</td><td>REF</td><td>REF</td></tr> <tr><td>A-18</td><td>A-18</td><td>A-18</td></tr> <tr><td>A-26</td><td>A-26</td><td>A-26</td></tr> <tr><td>A-14</td><td>A-15</td><td>A-16</td></tr> </table> <p>3</p>	70	80	90	REF	REF	REF	A-18	A-18	A-18	A-26	A-26	A-26	A-14	A-15	A-16	<p>Frente 180 + Lateral fijo</p> <table border="1"> <tr><th>70</th><th>80</th><th>90</th></tr> <tr><td>REF</td><td>REF</td><td>REF</td></tr> <tr><td>A-18</td><td>A-18</td><td>A-18</td></tr> <tr><td>A-24</td><td>A-24</td><td>A-24</td></tr> <tr><td>A-14</td><td>A-15</td><td>A-16</td></tr> </table> <p>3</p>	70	80	90	REF	REF	REF	A-18	A-18	A-18	A-24	A-24	A-24	A-14	A-15	A-16	<p>Frente 185 + Lateral fijo</p> <table border="1"> <tr><th>70</th><th>80</th><th>90</th></tr> <tr><td>REF</td><td>REF</td><td>REF</td></tr> <tr><td>A-19</td><td>A-19</td><td>A-19</td></tr> <tr><td>A-26</td><td>A-26</td><td>A-26</td></tr> <tr><td>A-14</td><td>A-15</td><td>A-16</td></tr> </table> <p>3</p>	70	80	90	REF	REF	REF	A-19	A-19	A-19	A-26	A-26	A-26	A-14	A-15	A-16	<p>Frente 190 + Lateral fijo</p> <table border="1"> <tr><th>70</th><th>80</th><th>90</th></tr> <tr><td>REF</td><td>REF</td><td>REF</td></tr> <tr><td>A-19</td><td>A-19</td><td>A-19</td></tr> <tr><td>A-24</td><td>A-24</td><td>A-24</td></tr> <tr><td>A-14</td><td>A-15</td><td>A-16</td></tr> </table> <p>3</p>	70	80	90	REF	REF	REF	A-19	A-19	A-19	A-24	A-24	A-24	A-14	A-15	A-16
70	80	90																																																																																													
REF	REF	REF																																																																																													
A-17	A-17	A-17																																																																																													
A-26	A-26	A-26																																																																																													
A-14	A-15	A-16																																																																																													
70	80	90																																																																																													
REF	REF	REF																																																																																													
A-17	A-17	A-17																																																																																													
A-24	A-24	A-24																																																																																													
A-14	A-15	A-16																																																																																													
70	80	90																																																																																													
REF	REF	REF																																																																																													
A-18	A-18	A-18																																																																																													
A-26	A-26	A-26																																																																																													
A-14	A-15	A-16																																																																																													
70	80	90																																																																																													
REF	REF	REF																																																																																													
A-18	A-18	A-18																																																																																													
A-24	A-24	A-24																																																																																													
A-14	A-15	A-16																																																																																													
70	80	90																																																																																													
REF	REF	REF																																																																																													
A-19	A-19	A-19																																																																																													
A-26	A-26	A-26																																																																																													
A-14	A-15	A-16																																																																																													
70	80	90																																																																																													
REF	REF	REF																																																																																													
A-19	A-19	A-19																																																																																													
A-24	A-24	A-24																																																																																													
A-14	A-15	A-16																																																																																													



- Cristal templado 8 mm transparente con certificado CE.
- Perfil receptor autoadhesivo incluido
- Sin periferia inferior para facilitar acceso al interior.
- Tratamiento de cristal antical Fast Clean.
- Embalaje especial de alta seguridad.

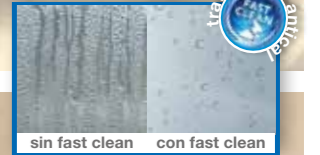
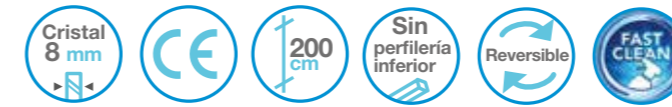


Manhattan Walk in

/ 1 fijo y 2 fijos frente



- Cristal templado 8 mm transparente con certificado CE.
- Sin periferia inferior.
- Brazo de sujeción recortable.
- Tratamiento de cristal antical Fast Clean.
- Embalaje especial de alta seguridad.



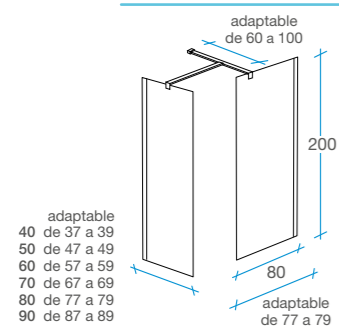
80 cm	90 cm	100 cm	110 cm	120 cm	
adaptable de 60 a 100 200 adaptable de 77 a 79	adaptable de 60 a 100 200 adaptable de 87 a 89	adaptable de 60 a 100 200 adaptable de 97 a 99	adaptable de 60 a 100 200 adaptable de 107 a 109	adaptable de 60 a 100 200 adaptable de 117 a 119	
Referencia A-15 1	Referencia A-16 1	Referencia A-17 1	Referencia A-18 1	Referencia A-19 1	
140 cm	150 cm	160 cm	170 cm	180 cm	
adaptable de 60 a 100 200 70 70 adaptable de 136 a 140	adaptable de 60 a 100 200 80 70 adaptable de 146 a 150	adaptable de 60 a 100 200 80 80 adaptable de 156 a 160	adaptable de 60 a 100 200 90 80 adaptable de 166 a 170	adaptable de 60 a 100 200 90 90 adaptable de 176 a 180	
Referencia A-14 A-15 P-2 3	Referencia A-15 A-16 P-2 3	Referencia A-15 A-16 P-2 3	Referencia A-15 A-16 P-2 3	Referencia A-16 A-16 P-2 3	
190 cm	200 cm	210 cm	220 cm	230 cm	240 cm
adaptable de 60 a 100 200 90 100 adaptable de 186 a 190	adaptable de 60 a 100 200 100 100 adaptable de 196 a 200	adaptable de 60 a 100 200 100 110 adaptable de 206 a 210	adaptable de 60 a 100 200 110 110 adaptable de 216 a 220	adaptable de 60 a 100 200 110 120 adaptable de 226 a 230	adaptable de 60 a 100 200 120 120 adaptable de 236 a 240
Referencia A-16 A-17 P-2 3	Referencia A-17 A-17 P-2 3	Referencia A-17 A-18 P-2 3	Referencia A-18 A-18 P-2 3	Referencia A-18 A-19 P-2 3	Referencia A-19 A-19 P-2 3



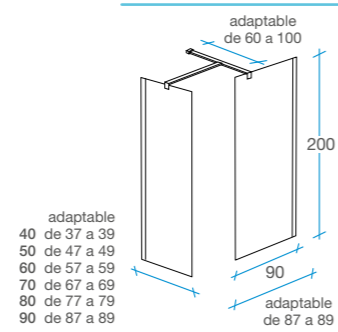
Manhattan Walk in

/ 2 fijos (frente + lateral)

80 cm

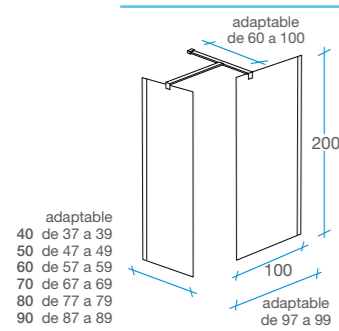


90 cm

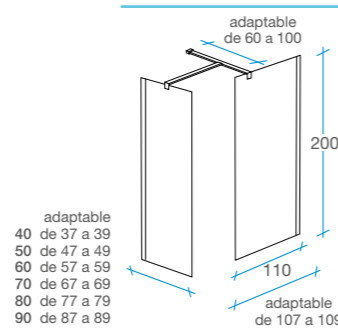


Frente fijo 80 + Lateral fijo						Frente fijo 90 + Lateral fijo					
40	50	60	70	80	90	40	50	60	70	80	90
REF	REF	REF	REF	REF	REF	REF	REF	REF	REF	REF	REF
A-15 A-11	A-15 A-12	A-15 A-13	A-15 A-14	A-15 A-15	A-15 A-16	A-16 A-11	A-16 A-12	A-16 A-13	A-16 A-14	A-16 A-15	A-16 A-16

100 cm

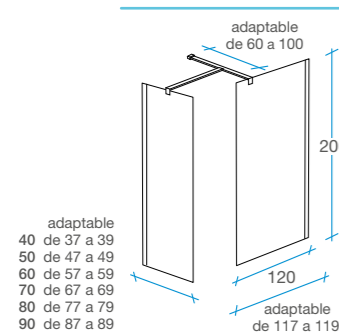


110 cm



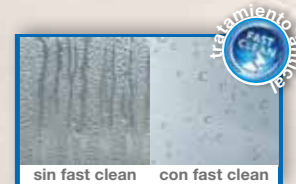
Frente fijo 100 + Lateral fijo						Frente fijo 110 + Lateral fijo					
40	50	60	70	80	90	40	50	60	70	80	90
REF	REF	REF	REF	REF	REF	REF	REF	REF	REF	REF	REF
A-17 A-11	A-17 A-12	A-17 A-13	A-17 A-14	A-17 A-15	A-17 A-16	A-18 A-11	A-18 A-12	A-18 A-13	A-18 A-14	A-18 A-15	A-18 A-16

120 cm



Frente fijo 120 + Lateral fijo					
40	50	60	70	80	90
REF	REF	REF	REF	REF	REF
A-19 A-11	A-19 A-12	A-19 A-13	A-19 A-14	A-19 A-15	A-19 A-16

- Cristal templado 8 mm transparente con certificado CE.
- Sin periferia inferior.
- Brazo de sujeción recortable.
- Tratamiento de cristal antical Fast Clean.
- Embalaje especial de alta seguridad.



Manhattan In-Out Walk in

/ 1 fijo + 1 puerta

<p>100 cm</p> <p>Referencia A-12 A-22 2 </p>	<p>110 cm</p> <p>Referencia A-13 A-22 2 </p>	<p>115 cm</p> <p>Referencia A-13 A-25 2 </p>	<p>120 cm</p> <p>Referencia A-14 A-22 2 </p>	<p>125 cm</p> <p>Referencia A-14 A-25 2 </p>	<p>130 cm</p> <p>Referencia A-14 A-23 2 </p>
<p>135 cm</p> <p>Referencia A-14 A-26 2 </p>	<p>140 cm</p> <p>Referencia A-15 A-23 2 </p>	<p>145 cm</p> <p>Referencia A-15 A-26 2 </p>	<p>150 cm</p> <p>Referencia A-15 A-24 2 </p>	<p>155 cm</p> <p>Referencia A-16 A-26 2 </p>	<p>160 cm</p> <p>Referencia A-16 A-24 2 </p>
<p>165 cm</p> <p>Referencia A-17 A-26 2 </p>	<p>170 cm</p> <p>Referencia A-17 A-24 2 </p>	<p>175 cm</p> <p>Referencia A-18 A-26 2 </p>	<p>180 cm</p> <p>Referencia A-18 A-24 2 </p>	<p>185 cm</p> <p>Referencia A-19 A-26 2 </p>	<p>190 cm</p> <p>Referencia A-19 A-24 2 </p>



- Cristal templado 8 mm transparente con certificado CE.
- Sin perfilería inferior para facilitar acceso al interior.
- Brazo de sujeción recortable.
- Tratamiento de cristal antical Fast Clean.
- Embalaje especial de alta seguridad.

